



Since 1883

Pellet Mills



• EFFICIENT •

• RELIABLE •

• COMPACT •

• USER-FRIENDLY •

• ROBUST •

• WORLD WIDE SERVICE •

strong **THE CPM ADVANTAGE**

Innovative engineering and design have been combined with the latest manufacturing technology to provide **the highest quality pellet mills** in the world with the best production levels ever achieved, along with excellent pellet quality.

■ HIGH PERFORMANCES ■ LOW COST MAINTENANCE ■ MAXIMUM SAFETY



Since 1883

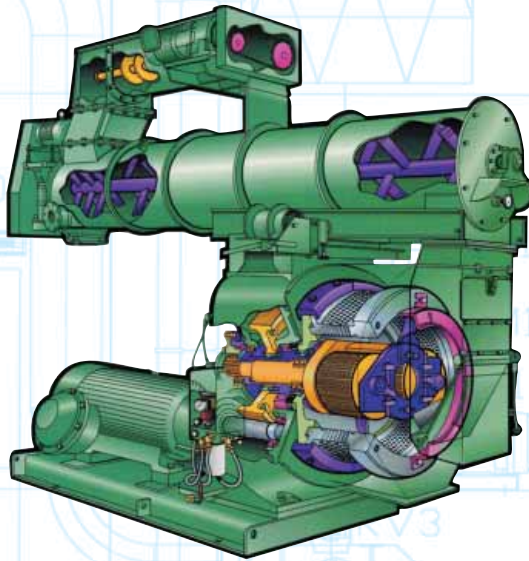
Your partner

CPM PELLET MILLS

Technology know-how

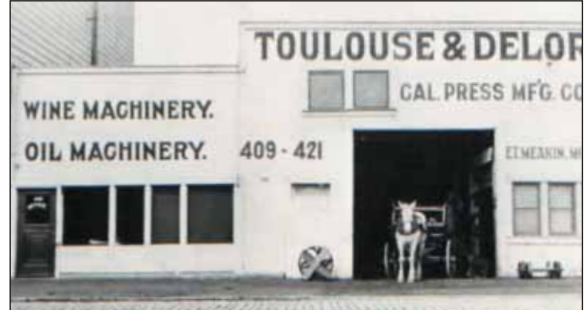
More and more industries are discovering the advantages of pelleting. The application possibilities of pellet mills in today's process industries are virtually endless. In addition to animal feeds, other materials being pelleted by CPM customers include detergents, polyethylene, carbon, insecticides, RDF, sawdust, asbestos, pharmaceuticals, urea, polyesters, coal dust, latex, coffee, organic fertiliser, polyesters, potash, charcoal, zinc oxide, herbicides, to name just a few.

As the world's largest manufacturer of pellet mills, CPM has led the way in developing specialised pellet mills and dies to make pelleting both practical and economical while enhancing product value and manageability.



THE CPM ADVANTAGE *(strong)*

Innovative engineering and design have been combined with the latest manufacturing technology to



California Pellet Mill since 1883

provide the highest quality pellet mills in the world with the best production levels ever achieved, along with excellent pellet quality.

CPM provides the best equipment, dies, rolls, parts and services which together represent the lowest operating cost solution to our customers.

Simply stated, CPM offers you the best value package. Your CPM representative is a professional with thorough knowledge of your local conditions and processing methods. He will help you obtain maximum efficiency from your pelleting process.

POSITIVE DIRECT GEAR DRIVE *(compact)*

Quiet, smooth and positive, CPM direct-gear drive systems are known for their trouble-free operation and extremely long operating life. Energy transfer is most efficient in this system. Without a doubt, CPM direct drives offer reliability and low maintenance not found with other types of drives. The CPM pellet mill "gear box concept" makes the machine exceptionally efficient and compact. The installed motor can conduct its energy directly to the installed rollers and die. The CPM gearbox concept also allows the installation of commonly available high efficiency motors with high power ratings. The robust and reliable design makes the CPM pellet mill also a true winner in heavy duty pelleting applications outside the feed milling industries.



Bear Claw



Ring Dies



Pneumatic Die and Rollerlift



Dies and Rollers

in productivity

CPM PELLET MILL FEATURES

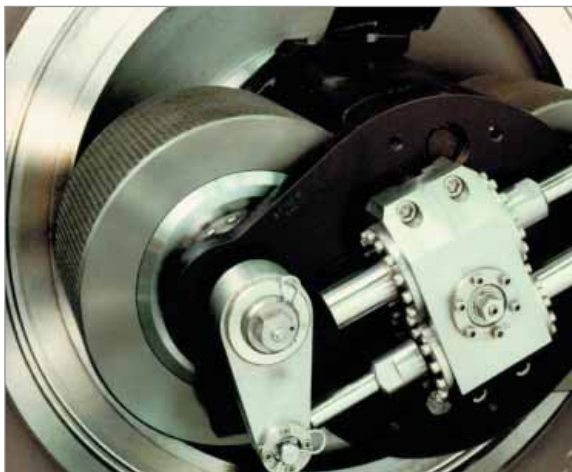
(extremely user friendly)

Many proven and innovative features can be found in CPM pellet mills, including lineator remote roller adjustment, powered die and roller hoist, easy mountable segmented die clamps. Additional features include:

CPM LINEATOR REMOTE ROLL ADJUSTMENT

(Safe)

The development of the remote roller adjustment type CPM Lineator has lifted pelleting technology to another level. The CPM Lineator makes it possible to control the distance between roller and die surface. The compact and reliable design of the CPM Lineator provides a swift, accurate and safe roller adjustment during the pelleting process.



- Save money
The CPM Lineator reduces costly production stops
- Safety
Roll adjustment without having to open the pellet chamber
- Increased service life
Reduced die wear cost
- Simple maintenance
Quick disassembly at roller changes
- Easy retrofit
Available for installation on existing CPM pellet mills

PELLET DURABILITY

The CPM Lineator makes it possible to change the roller distance during production. Controlling the product layer between rollers and die provides a pre compression and can as such provide a better pellet quality.

YOU WANT QUALITY

The no compromise design, robust efficient geardrive, constructed with the highest quality bearings, ensures long life trouble free low maintenance performance

YOU WANT EFFICIENCY

Most efficient feed distribution with dual rollers and ring die, makes the process less sensitive for moisture and increases user friendliness.

YOU WANT RELIABILITY

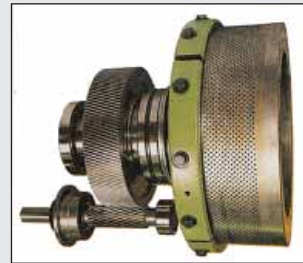
Shear pins are designed with a safety micro-switch for prompt shutdown, protecting machine from tramp metal damage. They can be easily and quickly changed.

YOU WANT USER-FRIENDLINESS

Changing dies is an easy job on a CPM pellet mill, as the die is accessible outside the gearbox and easily clamped. With the new designed "bearclaw" clamps, now the die can be de-mounted without removal of clamps from the quill flange.

YOU WANT MORE!

Anticipation of customer requirements and developments with the industries maintains a lively innovation process at CPM. Because of this a CPM pellet mill can nowadays also be supplied with pneumatic remote controlled knives, pneumatic die hoist and many other features.



Direct Gear Drive



Dual Rollers



Shear Pin Protection



Easy Die Change



Pellet Mills



Remote Knife Adjust

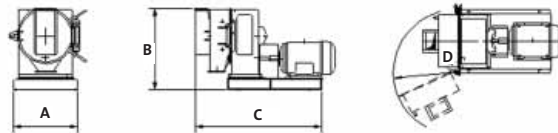


Since 1883

Pellet Mills

MODULAR DESIGN

CPM pellet mills are available in a variety of die sizes and drive power to match the output requirements of your system.



Pellet Mill Series	Pellet Mill Type	Die dimensions					Motor	General pellet mill dimensions			
		Dia ø (inch)	Die Width (inch)	Dia ø (mm)	Die Width (mm)	Die surface (cm ²)	P (kW) 1500 rpm	A	B	C	D
2000	2016-2	16	2	407	57	730	90	990	1267	2320	980
	2016-3	16	3	407	83	1046	90	990	1267	2320	980
	2016-4	16	4	407	116	1478	90	990	1267	2320	980
3000	3020-4	20	4	508	113	1803	132	1050	1440	2465	1115
	3020-6	20	6	508	156	2488	132	1050	1440	2465	1115
	3022-2	22	2	572	60	1080	90	1050	1440	2530	1280
	3022-6	22	6	572	156	2800	132	1050	1440	2530	1280
7700	7722-2	22	2	572	60	1080	200	1410	1520	2940	1285
	7722-4	22	4	572	116	2085	200	1410	1520	2940	1285
	7722-6	22	6	572	156	2800	200	1410	1520	2940	1285
	7722-7	22	7	572	180	3230	200	1410	1520	2940	1285
	7726-7	26	7	673	180	3800	200	1410	1640	3110	1440
	7730-4	30	4	762	94	2250	200	1410	1640	3110	1440
	7730-6	30	6	762	156	3725	200	1410	1640	3110	1440
	7730-7	30	7	762	180	4300	200	1410	1640	3110	1440
7900	7730-8	30	8	762	210	5025	200	1410	1640	3110	1440
	7930-4	30	4	762	94	2250	315	1410	1685	3170	1440
	7930-6	30	6	762	156	3725	315	1410	1685	3170	1440
	7930-8	30	8	762	210	5025	315	1410	1685	3170	1440
	7932-5	32	5	825	127	3290	355	1410	1810	3410	1605
	7932-7	32	7	825	115	3000	315	1410	1810	3410	1605
	7932-9	32	9	825	180	4650	315	1410	1810	3410	1605
	7932-11	32	11	825	270	7000	315	1410	1810	3410	1605
9000	7936-12	36	12	915	313	9000	315	1410	1810	3890	1760
	9036-7	36	7	915	181	5200	500	2000	2230	3900	1885
	9042-12	42	12	1057	313	10000	500	2000	2230	3900	1885

WORLD-WIDE

CPM offers service through a world wide network of local agents in nearly every country. They get supported directly from the regional headquarters by teams of pelleting technology specialists.

SALES DEPARTMENTS

Our establishments are staffed with qualified sales, engineering and service personnel and are well stocked with dies, parts and accessories. This ensures prompt efficient processing of all customer service requirements.

CONTACT

Please feel free to contact your local agent, our offices or our Internet sites www.cpmeurope.nl or www.cpmroskamp.com.



CPM/Europe BV
Distelweg 89
1031 HD Amsterdam
The Netherlands
+31 20 494 61 11 Phone
+31 20 636 42 94 Fax
info@cpmeurope.nl

Roskamp Champion
2975 Airline Circle
Waterloo, IA 50703 - USA
+1 319 232-8444 Phone
+1 319 236-0481 Fax
800 366-2563
sales@cpmroskamp.com

California Pellet Mill Co.
1114 E. Wabash Avenue
Crawfordsville, IN 47933-USA
+1 765 362-2600 Phone
+1 765 362-7551 Fax
800 428-0846
sales@cpmroskamp.com

CPM/Pacific Private Ltd.
21, Gul Drive
Singapore 629470
Republic of Singapore
+65 6 265 07 01 Phone
+65 6 268 64 28 Fax
cus.svc@cpmasia.com