

NOTICE: THIS IS CONFIDENTIAL PROPRIETARY INFORMATION OF CONTINENTAL AGRA EQUIPMENT INC. ANY PERSON ACCEPTING THIS INFORMATION IS REQUIRED TO ACCEPT THE SAME IN CONFIDENCE AND AGREES TO MAKE NO DISCLOSURE, USE, OR DUPLICATION THEREOF EXCEPT AS AUTHORIZED BY CONTINENTAL AGRA EQUIPMENT INC.

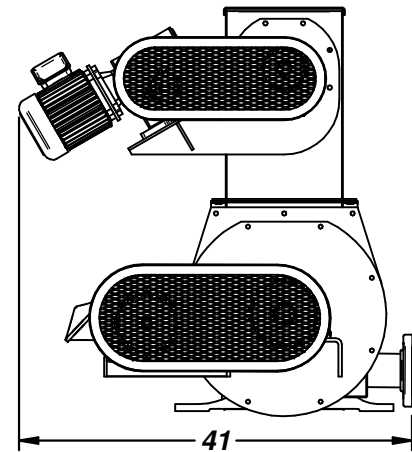
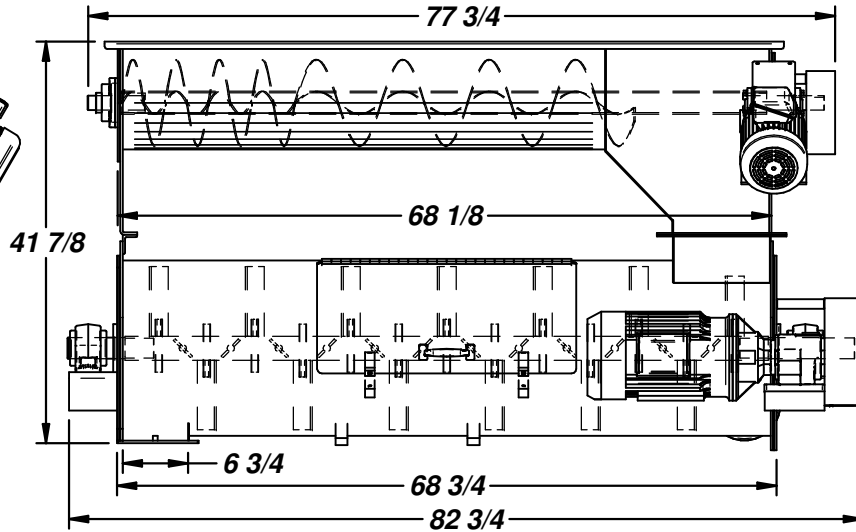
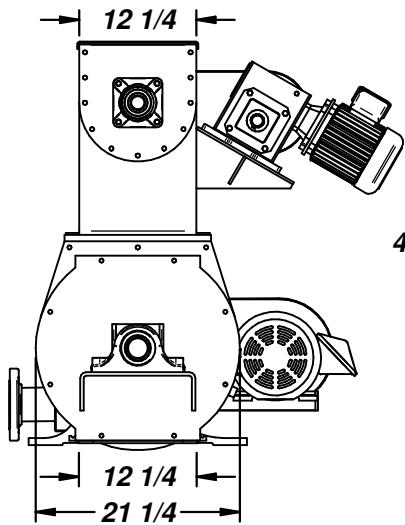
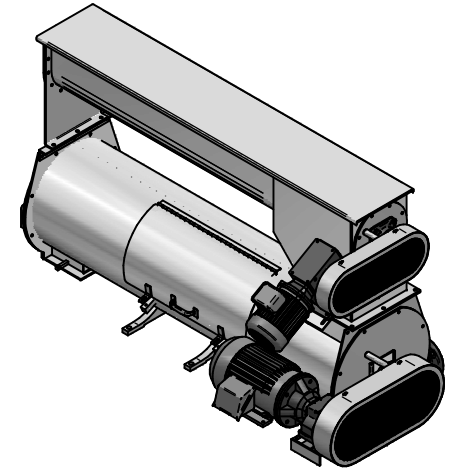
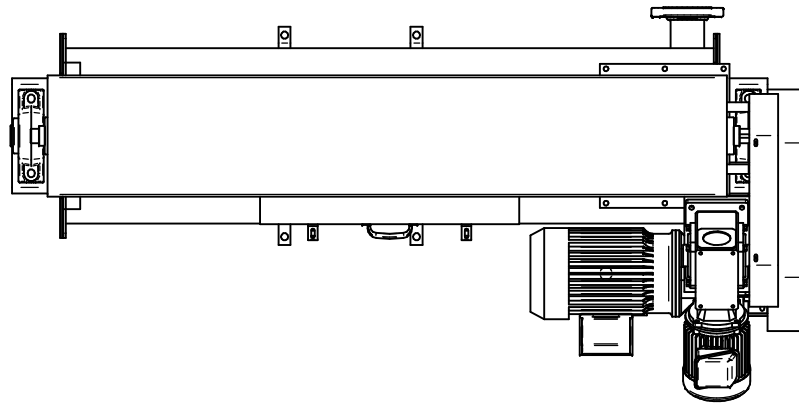
UNLESS OTHERWISE NOTED
 STANDARD TOLERANCES (PLUS or MINUS)
 FRACTIONAL = 1/32"
 .XX = .020"
 .XXX = .005"
 .XXXX = .001"
 ANGULAR = 1/2 deg.

CONTINENTAL AGRA

DESCRIPTION:
CENTURY FEEDER/CONDITIONER

MATERIAL: As Noted	DWG. #: DETAILS & ASSEMBLIES	REV. 0
-----------------------	---------------------------------	-----------

SCALE: A/N	DRAWN BY: M.R. CRAFT	DATE: 06/13/2011	SHEET 1 of 2
------------	----------------------	------------------	--------------



NOTICE: THIS IS CONFIDENTIAL PROPRIETARY INFORMATION OF CONTINENTAL AGRA EQUIPMENT INC. ANY PERSON ACCEPTING THIS INFORMATION IS REQUIRED TO ACCEPT THE SAME IN CONFIDENCE AND AGREES TO MAKE NO DISCLOSURE, USE, OR DUPLICATION THEREOF EXCEPT AS AUTHORIZED BY CONTINENTAL AGRA EQUIPMENT INC.

UNLESS OTHERWISE NOTED
STANDARD TOLERANCES (PLUS or MINUS)
FRACTIONAL = 1/32"
.XX = .020"
.XXX = .005"
.XXXX = .001"
ANGULAR = 1/2 deg.

CONTINENTAL AGRA

DESCRIPTION:
CENTURY FEEDER/CONDITIONER

MATERIAL: As Noted DWG. #: **DETAILS & ASSEMBLIES** REV. 0

SCALE: A/N DRAWN BY: M.R. CRAFT DATE: 06/13/2011 SHEET 2 of 2