

SHREDDERS

WITH FOUR-SHAFT TECHNOLOGY

SERIES ZM 30 | ZM 40 | ZM 50





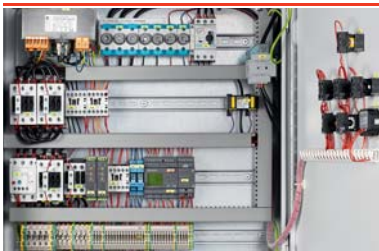
STURDY AND POWERFUL.

FOR SHREDDING ALL KINDS OF
LONG AND BULKY MATERIALS.



HOPPER

→ For long parts like car bumpers,
battens, pipes or cardboard



SPS CONTROL

→ For energy efficient shredding and easy
handling // Automatic reverse function
// Overload protection



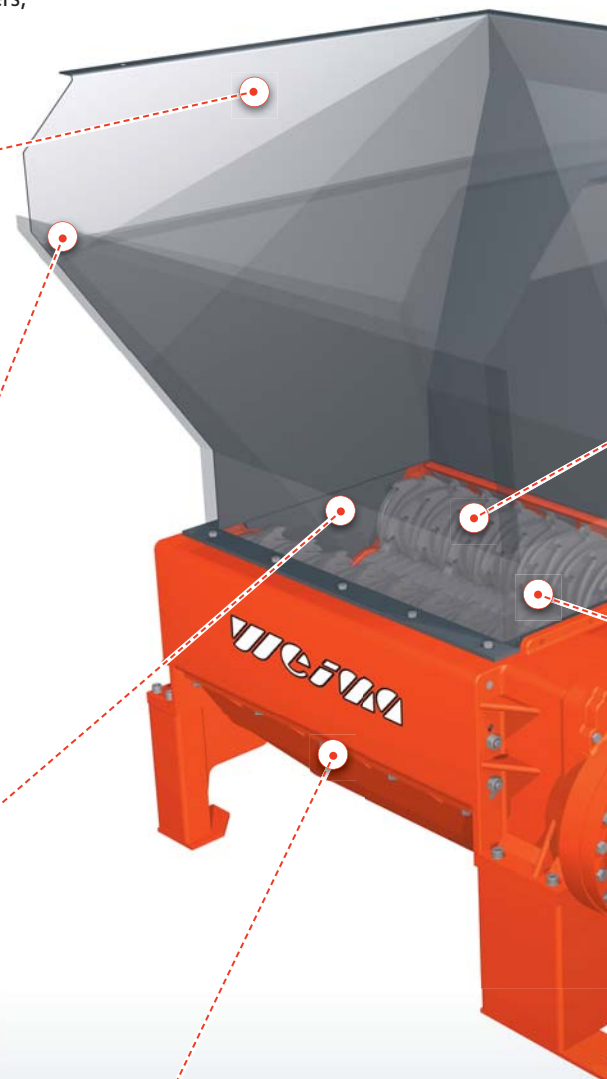
DOUBLE WALL CONSTRUCTION

→ Fixed bearing wear protection for cutting
shafts // Specially made for fibrous mate-
rial and dirt



SCREEN

→ Underneath the cutting unit
// Second crusher prevents
long shavings





CUTTING SHAFTS

→ Different versions possible



WEAR PLATE

→ Optional wear protection for cutting unit and gearbox



CUTTING UNIT

→ Consists of 2 cutting shafts and 2 clearing shafts // Different orders of cutting shafts possible

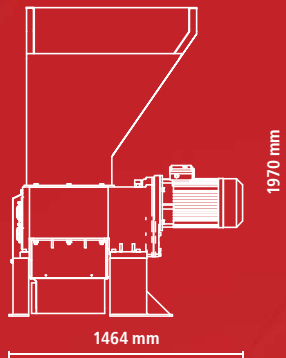


TWIN DRIVE

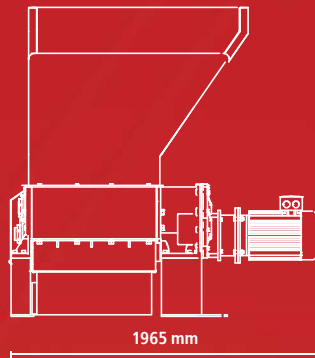
→ Two electric motors with up to 30 kW drive performance each // Closed oil bath gearbox // Reinforced version above 22 kW



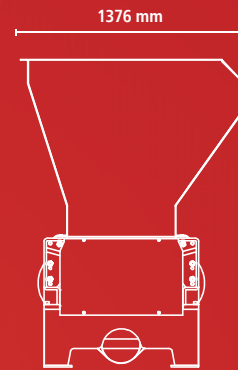
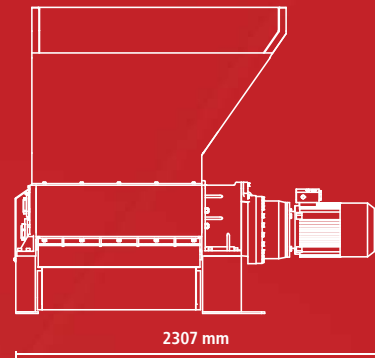
ZM 30



ZM 40



ZM 50



TECHNICAL DATA

		ZM 30	ZM 40	ZM 50
Hopper opening				
Width	[mm]	1.000	1.300	1.500
Length	[mm]	1.250	1.400	1.400
Cutting unit				
Working width	[mm]	462	760	990
Length	[mm]	562	700	700
Shaft-diameter	[mm]	235	280	280
Drive performance	[kW]	2 x 7,5; 2 x 11	2 x 15; 2 x 18,5; 2 x 22	2 x 15; 2 x 18,5; 2 x 22; 2 x 30
Exhaust connection diameter	[mm]	200	200	200
Weight	[approx. kg]	1.300	2.500	3.000

Demonstrations and trials are possible in our showroom.