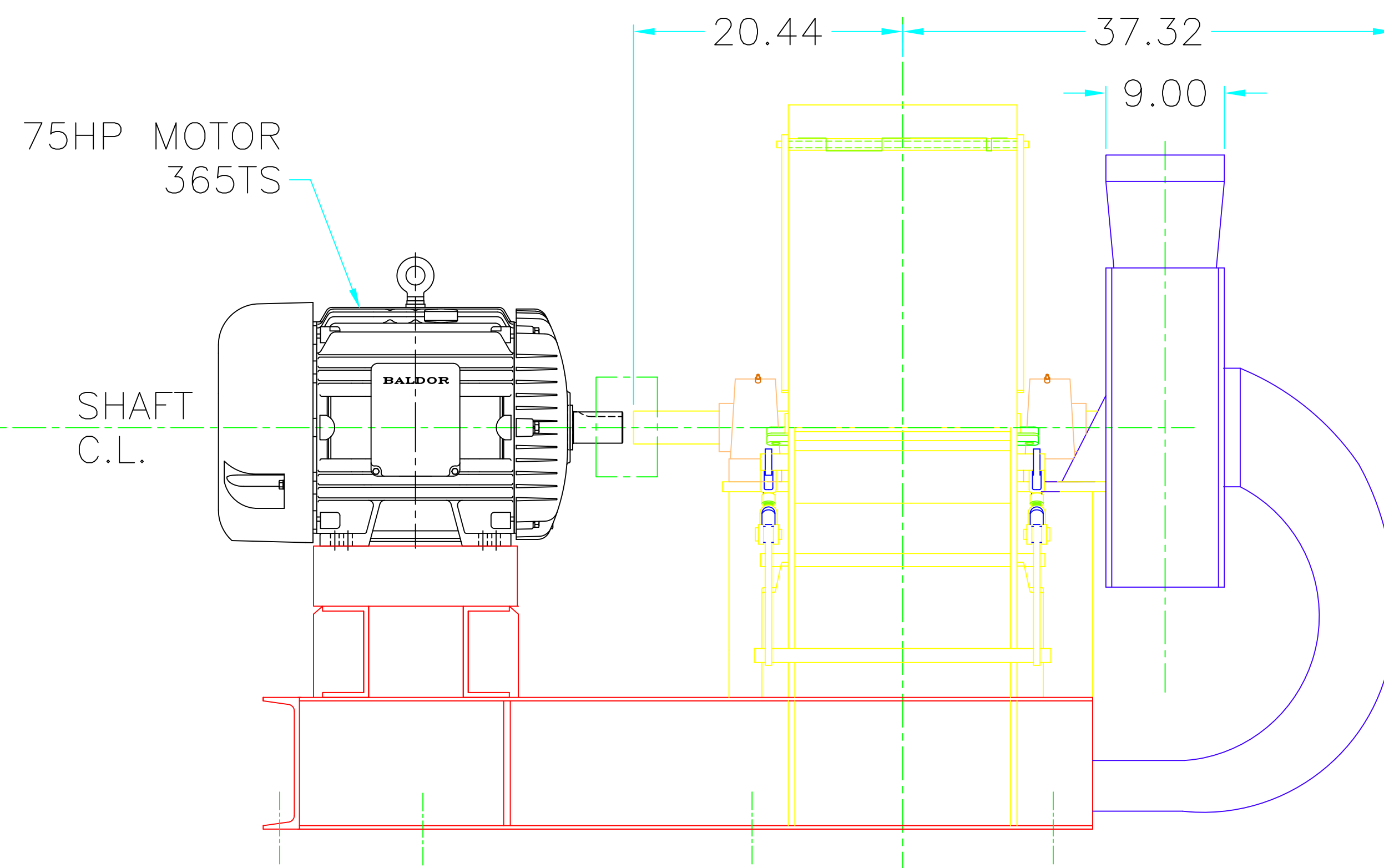
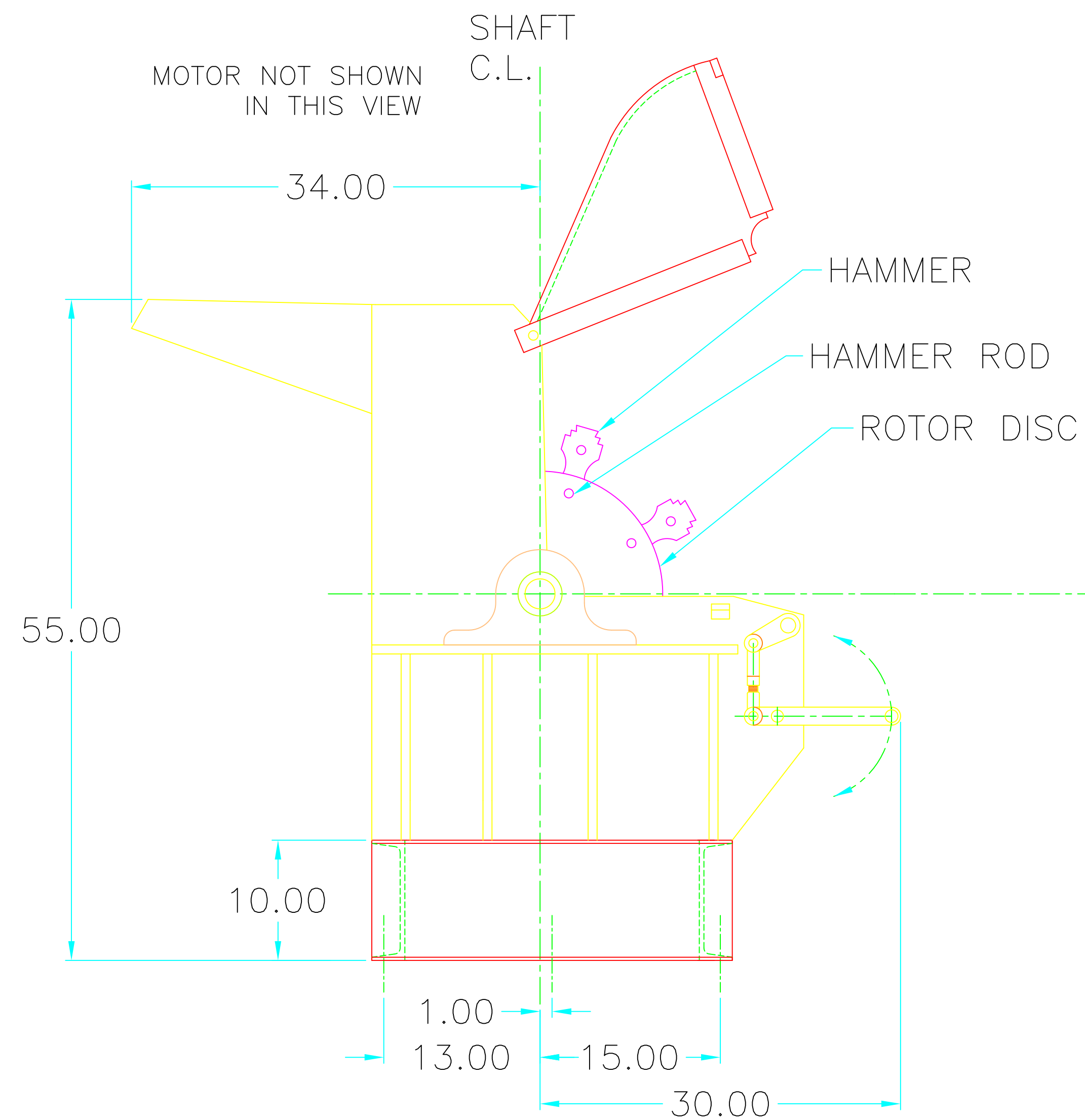
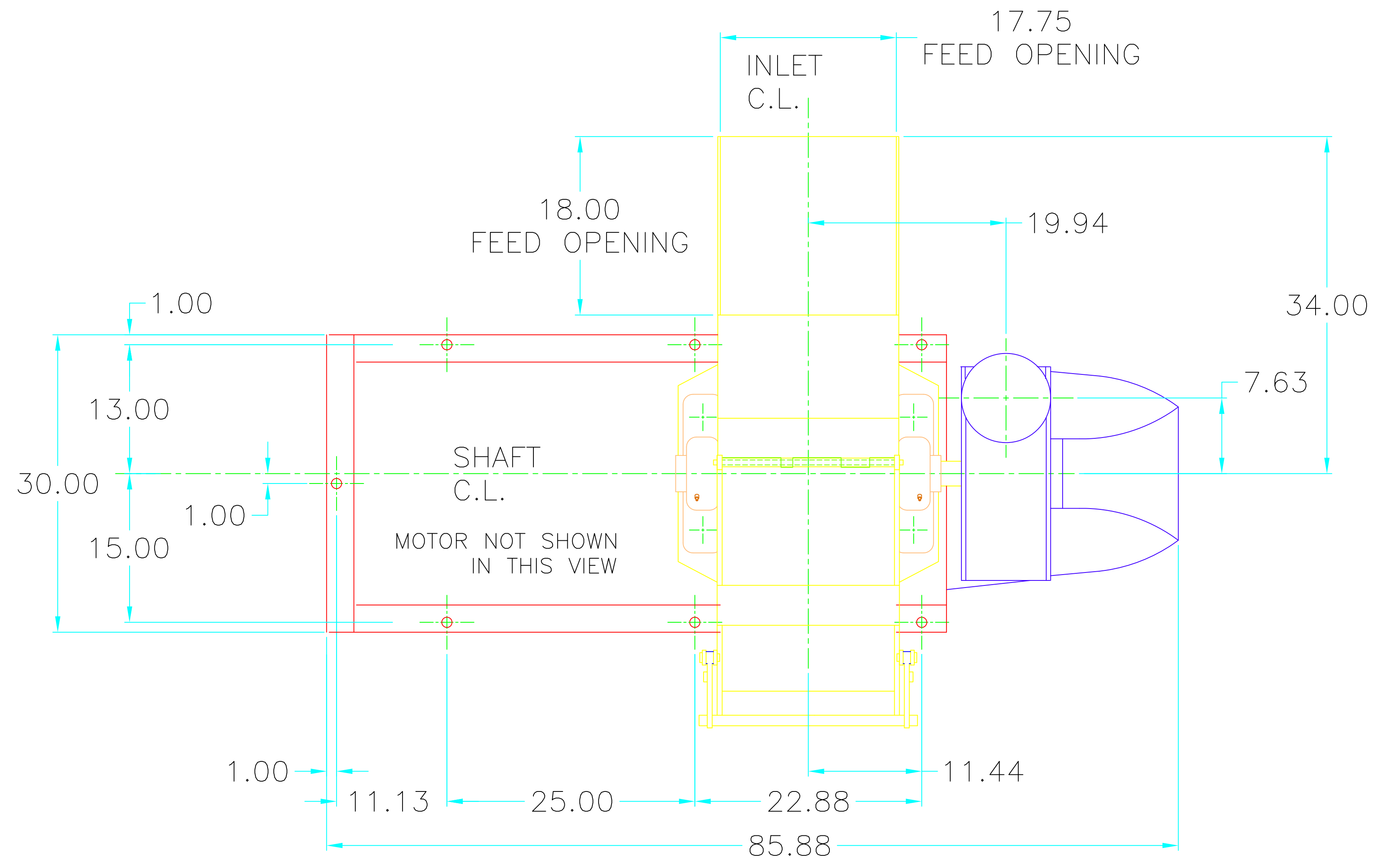


NOTE: ALL BASE MOUNTING HOLES 1.03 PUNCH



UNLESS SHOWN OTHERWISE TOLERANCES SHOULD BE:				Schutte- Buffalo HAMMERMILL 61 Depot Street Buffalo, N.Y. 14206		PROJECT XXX	DRAWN BY
1.) XXX	± .005			DATE X/X/XX	CHECKED BY		
2.) .XX	± .01			SCALE NONE	BILL OF MATL		
3.) FRACTIONAL DIMENSIONS	± 1/32"			NEXT ASS'Y			
4.) ANGLES	± 0' 30"			DWG. NO.			
ALL INFORMATION CONTAINED HEREIN IS PROPRIETARY AND MUST NOT BE REPRODUCED OR MADE PUBLIC WITHOUT WRITTEN CONSENT FROM SCHUTTE-BUFFALO HAMMER MILL				TITLE: SERIES 1340 WOOD GRINDER		#1340_75HP	REV.
LETTER	ALTERATION	DATE	BY				